

# THE SLIDE IN WAREHOUSE

Pricing effective May 2021

Pricing subject to change without notice

888-445-4892

[www.slideinwarehouse.com](http://www.slideinwarehouse.com)

## Slide In Vacuum Tank Catalog





SC Model Slide-In Vacuum Tank Standard Features - 3-

SC Series - Rear Engine ..... - 4 -  
SC Series – Side Engine, Conventional Mount..... - 5 -  
SC Series – Side Engine, Transverse.....- 6 -

Stainless Steel Slide-In Vacuum Tank Standard Features - 7-

FD Model Slide-In Vacuum Tank Standard Features - 8-

FD Series-Rear Engine.....-9-  
FD Series- Side Engine.....-10-

Standard Pump Options - 11-



## SC Series Slide-In Vacuum Tank Standard Features

5454-H32 Marine grade mill finish aluminum

3 Pump locations to choose from

RE – Pump located on rear (end) side of tank

SE – Pump located on side of tank and set up for conventional mount

TV – Pump located on side of tank and set up for transverse mount

8" X 2" NVE low profile primary with stainless steel ball and cage

3" Discharge with 3" full port poly ball valve, male camlock and dust cap

3" Top nipple with 2" adapter for Tigertail Suction hose

(2) 2" Sight eyes in waste compartment

Half-moon style hose hook suction hose

Hose hook for wash down hose

(1) Work light

Full length fork lift pockets

Conde Super 6 (70 CFM) vacuum/pressure pump

Shurflo 12v wash down pump, 3.0 GPM

2" MZ plastic secondary

2" Diamond plate aluminum oil trap

2" Bucket fill with 2" straight male camlock fitting

2" x 30' Tigertail suction hose with 2" full port 90 degree valve and 30" schedule 80 PVC wand

½" x 50' wash down hose with spray nozzle

12v battery

All units come with a kit that contains: (1) 2" 90 male camlock for option to replace straight camlock on bucket fill, (20') of red 6 gauge battery cable for option to wire battery on unit to truck battery, (1) 2" female camlock to garden hose adapter for fresh water fill through bucket fill

### Notes:

1) Any SC single compartment model deletes the following items: Wash down hose and spray nozzle, 12v wash down pump, bucket fill, garden hose hook, sight tube, vent, strainer, fresh plumbing.

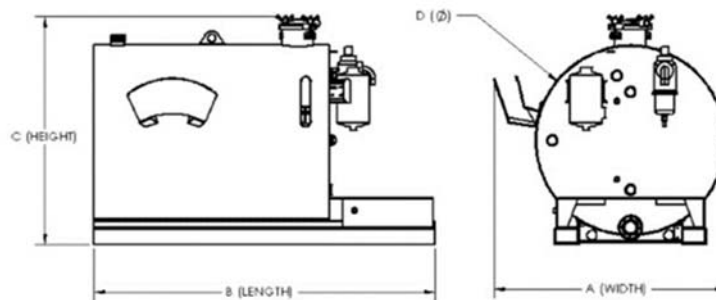
2) Transverse, side engine tanks come standard with dual service prep by including a right side hose hooks for both suction hose and washdown hose, 3" top nipple with cap for waste inlet. The base model does not include any hoses and are add-ons (see options in transverse section)



## SC Series—Rear Engine

Model	Capacity	Description	Net Price
SC300-1C-RE	300	300 Gallon, single comp, standard features	\$9,395
SC300-2C-RE	300	200 Waste x 100 fresh, two comp, standard features	\$9,695
SC450-1C-RE	450	450 Gallon, single comp, standard features	\$9,495
SC450-2C-RE	450	300 Waste x 150 fresh, two comp, standard features	\$9,795
SC600-1C-RE	600	600 Gallon, Single Comp, SHORT	\$11,025
SC600-2C-RE	600	400 Waste, 200 Fresh, Two comp SHORT	\$11,445
BR600-1C-RE	600	600 Gallon, single comp, LONG	\$10,595
BR600-2C-RE	600	400 Waste x 200 fresh, two comp, LONG	\$10,995
SC800-1C-RE	800	800 Gallon, single comp, standard features	\$11,495
SC800-2C-RE	800	540 Waste x 260 fresh, two comp, standard features	\$11,795
BR995-1C-RE	995	995 Gallon, single comp, standard features	\$14,095
BR995-2C-RE	995	670 Waste x 325 Fresh, two comp, standard features	\$14,395

All SC Series, rear engine models are kept in stock both with and without pumps.

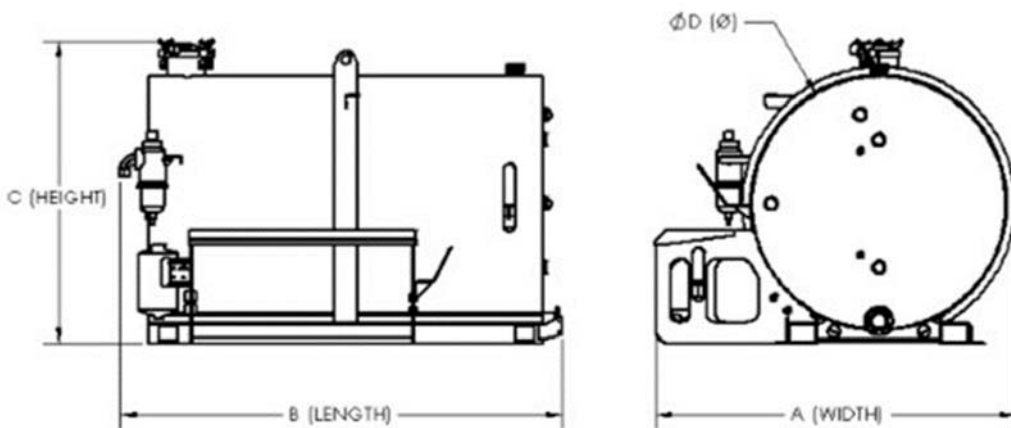


Capacity	A	B	C	D	Weight (Super 6)
300 Gallon	57"	75"	53"	44	795 lbs.
300 Shipping	60"	77"	59"	X	1,100 lbs.
450 Gallon	60"	87"	58"	48	965 lbs.
450 Shipping	65"	89"	64"	X	1,225 lbs.
600 Gallon	66"	99"	61"	50	1,085 lbs.
600 Shipping	69"	102"	67"	X	1,400 lbs.
800 Gallon	69"	111"	61"	54	1,235 lbs.
800 Shipping	73"	113"	67"	X	1,650 lbs.

# **THE SLIDE IN WAREHOUSE**

## SC Series—Side Engine, Conventional Mount

Model	Capacity	Description	Net Price
SC600-1C-SE	600	600 Gallon, single comp, standard features	\$12,915
SC600-2C-SE	600	400 Waste x 200 fresh, two comp, standard features	\$13,230
SC800-1C-SE	800	800 Gallon, single comp, standard features	\$13,965
SC800-2C-SE	800	540 Waste x 260 fresh, two comp, standard features	\$14,385



Capacity	A	B	C	D	Weight (Super 6)
600 Gallon	75	76	61	50	1,090 lbs.
600 Shipping	77	78	66	X	1,400 lbs.
800 Gallon	77	88	65	54	1,340 lbs.
800 Shipping	79	90	70	X	1,650 lbs.

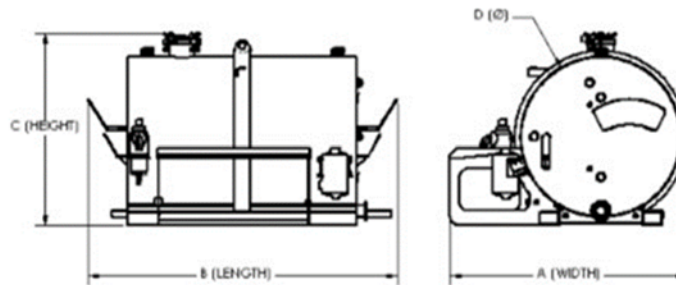
# THE SLIDE IN WAREHOUSE

## SC Series—Side Engine, Transverse

Model	Capacity	Description	Net Price
SC300-1C-TV	300	300 Gallon, single comp, standard features	\$12,795
SC300-2C-TV	300	200 Waste x 100 fresh, two comp, standard features	\$13,095
SC450-1C-TV	450	450 Gallon, single comp, standard features	\$12,895
SC450-2C-TV	450	300 Waste x 150 fresh, two comp, standard features	\$13,595
SC600-1C-TV	600	600 Gallon, single comp, standard features	\$13,895
SC600-2C-TV	600	400 Waste x 200 fresh, two comp, standard features	\$14,195
SC700-1C-TV	700	700 Gallon, single comp, standard features	\$14,795
SC700-2C-TV	700	480 Waste x 220 fresh, two comp, standard features	\$15,095

As with all tank models, some vacuum pumps may extend outside the pump stand. The transverse models should be especially paid attention to as this may interfere with objects that will sit behind the tank on the truck.

\*All Transverse models are Dual Service: Includes 30' x 2" Tigertail, right angle valve and wand, 5/8 x 50' wash-down hose with spray nozzle)



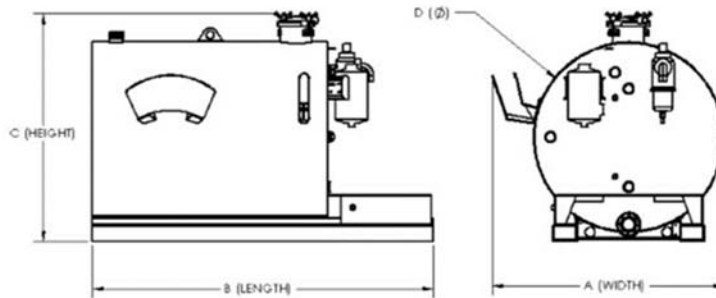
Capacity	A	B	C	D	Weight (Super 6)
300 Gallon	65	65	55	44	800 lbs.
300 Shipping	67	67	60	X	1,100 lbs.
450 Gallon	72	86	59	48	965 lbs.
450 Shipping	74	88	64	X	1,225 lbs.
600 Gallon	75	98	61	50	1,090 lbs.
600 Shipping	77	100	66	X	1,400 lbs.
700 Gallon	77	96	65	54	1,340 lbs.
700 Shipping	79	98	70	X	1,650 lbs.

\*Note 2 on the "SC Series Slide-In Vacuum Tank Standard Features" pertains to these models.

# THE SLIDE IN WAREHOUSE

## Stainless Steel Tanks

Model	Capacity	Description	Net Price
SSSC450-1C-RE	450	450 Gallon, single comp, standard features	\$11,695
SSSC450-2C-RE	450	300 Waste x 150 fresh, two comp, standard features	\$11,995
SSSC-600-1C-RE	600	600 Gallon, Single Comp,	\$13,195
SSSC-600-2C-RE	600	400 Waste, 200 Fresh, Two comp	\$13,595
SSSC-800-1C-RE	800	800 Gallon, single comp, standard features	\$14,595
SSSC-800-2C-RE	800	540 Waste x 260 fresh, two comp, standard features	\$14,895
SSSC-995-1C-RE	995	995 Gallon, single comp, standard features	\$17,995
SSSC-995-2C-RE	995	670 Waste x 325 Fresh, two comp, standard features	\$18,295



Capacity	A	B	C	D	Weight (Super 6)
450 Gallon	58"	87"	59"	48	1390 lbs.
450 Shipping	65"	89"	64"	X	1690 lbs.
600 Gallon	65"	89"	67"	54	1600 lbs.
600 Shipping	69"	102"	72"	X	1900 lbs.
800 Gallon	66"	103"	68"	56	1800 lbs.
800 Shipping	73"	113"	67"	X	2100 lbs.
995 Gallon	66"	119"	68"	56	1980 lbs.
995 Shipping	73"	124"	67"	X	2350 lbs.

\*All stainless steel tanks are manufactured to the highest standards. Stainless Steel 304, 10 gauge, 2B finish. All other features remain the same as all SC Series models. \*\*All weights are approximate.



## FD Series Slide-In Vacuum Tank Standard Features

5454-H32 Marine grade mill finish aluminum

2 configurations to choose from:

“RE” – Pump located on rear (end) side of tank

“SE” – Pump located on side of tank and set up for conventional mount

20" X 2" Hose connection NVE low profile primary with stainless steel ball and cage

3" Discharge with 3" full port poly ball valve, male camlock and dust cap

3" Top nipple with 2" adapter for Tigertail Suction hose

(2) 5" Sight eyes in rear Head

Half-moon style hose hook suction hose

Hose hook for wash down hose (on two compartment models only)

(1) Work light

Full length fork lift pockets

Conde Super 6 (70 CFM) vacuum/pressure pump, belt drive

Shurflo 12v wash down pump, 3.0 GPM, 45 PSI

2" MZ plastic secondary

2" Diamond plate aluminum oil trap

2" Bucket fill with 2" straight male camlock fitting

2" x 30' Tigertail suction hose with 2" full port 90 degree valve with 30" schedule 80 PVC wand

½" x 50' wash down hose with spray nozzle

12v battery

All units come with a kit that contains: (1) 2" 90 male camlock for option to replace straight camlock on bucket fill, (20') of red 6-gauge battery cable for option to wire battery on unit to truck battery, (1) 2" female camlock to garden hose adapter for fresh water fill through bucket fill

### Notes:

Any "FD" single compartment model deletes the following items: Wash down hose and spray nozzle, 12v wash down pump, bucket fill, garden hose hook, sight tube, vent, strainer, fresh plumbing. Some models will have deletion of internal bulk head, other models will have bulk head replaced with baffle.

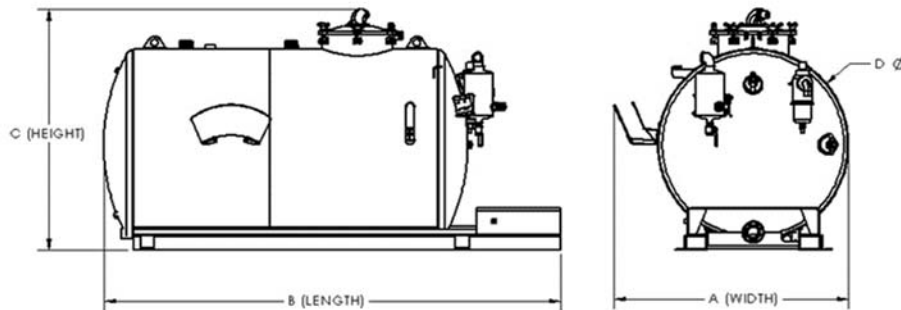
ALL FREIGHT QUOTES WILL BE GOOD FOR 10 DAYS. AFTER 10 DAYS FREIGHT WILL BE CHARGED BASED ON NEW QUOTE PRICE PROVIDED BY SHIPPING VENDOR. ALL CUSTOMERS ARE ALLOWED TO SET UP FREIGHT WITH THEIR OWN CARRIERS IF THEY CHOOSE TO.



# THE SLIDE IN WAREHOUSE

## FD Series—Rear Engine

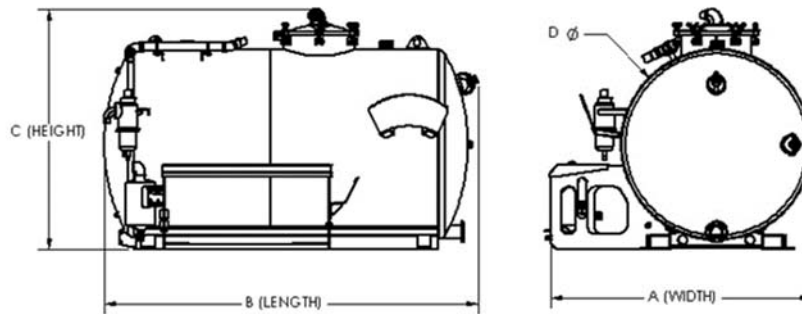
Model	Capacity	Description	Price
FD300-1C-RE	300	300 Gallon, single comp, standard features	\$12,295
FD300-2C-RE	300	200 Waste x 100 fresh, two comp, standard features	\$13,395
FD435-1C-RE	435	435 Gallon, single comp, standard features	\$12,995
FD435-2C-RE	435	300 Waste x 135 fresh, two comp, standard features	\$14,195
FD600-1C-RE	600	600 Gallon, single comp, standard features	\$13,495
FD600-2C-RE	600	400 Waste x 200 fresh, two comp, standard features	\$14,495
FD800-1C-RE	800	800 Gallon, single comp, standard features	\$15,995
FD800-2C-RE	800	550 Waste x 250 fresh, two comp, standard features	\$16,895
FD950-1C-RE	1000	950 Gallon, single comp, standard features	\$16,495
FD950-2C-RE	1000	650 Waste x 300 fresh, two comp, standard features	\$17,595
FD1200-1C-RE	1200	1200 Gallon, single comp, standard features	\$17,995
FD1200-2C-RE	1200	900 Waste x 300 fresh, two comp, standard features	\$18,395



Capacity	A		B		C		D	Weight (Super 6)	
	unit	shipping	unit	shipping	unit	shipping	Diam.	Unit	shipping
300 Gallon	55	59	87	91	566	60	42	800	900
450 Gallon	60	64	91	95	63	67	48	1100	1200
600 Gallon	68	72	93	97	69	73	54	1150	1250
800 Gallon	68	72	116	120	69	73	54	1200	1300
1000 Gallon	68	72	131	135	69	73	54	1400	1500
1200 Gallon	68	72	141	144	69	73	54	1600	1700
1500 Gallon	68	72	156	160	69	73	54	1800	1900

## FD Series—Side Engine, Conventional Mount

Model	Capacity	Description	Net Price
FD600-1C-SE	600	600 Gallon, single comp, standard features	\$15,895
FD600-2C-SE	600	400 Waste x 200 fresh, two comp, standard features	\$16,995
FD800-1C-SE	800	800 Gallon, single comp, standard features	\$16,895
FD800-2C-SE	800	550 Waste x 250 fresh, two comp, standard features	\$17,895
FD950-1C-SE	950	950 Gallon, single comp, standard features	\$17,695
FD950-2C-SE	950	650 Waste x 300 fresh, two comp, standard features	\$18,695
FD1200-1C-SE	1200	1200 Gallon, single comp, Standard features	\$18,995
FD1200-2C-SE	1200	900 Waste x 300 fresh, two comp, standard features	\$19,395
FD1500-1C-SE	1500	1500 Gallon, Single comp, standard features	\$20,195
FD1500-2C-SE	1500	1100 Waste x 400 fresh, two comp, standard features	\$20,595



Capacity	A		B		C		D	Weight (Super 6) lbs.	
	unit	shipping	unit	shipping	unit	shipping		Diam.	unit
600 Gallon	69	73	91	95	63	67	48	1150	1250
800 Gallon	75	79	93	97	69	73	54	1200	1300
950 Gallon	75	79	108	112	69	73	54	1400	1500
1200 Gallon	75	79	134	138	69	73	54	1600	1700
1500 Gallon	75	79	162	166	69	73	54	1800	1900



## Standard Pump Options

Vacuum Pump Options – In order of size (CFM)	
Description	Price
<b>Gas Motor Options</b>	
Masport HXL2V (76 CFM) direct driven by Honda 5.5 HP gas motor, electric start	\$0
Masport HXL3V (106 CFM) direct driven by Honda 9 HP gas motor, electric start	\$1,100
Masport HXL4V (165 CFM) belt driven by Honda gas motor, electric start	\$1,700
Masport HXL-75 (236 CFM) driven by Honda gas, electric start	\$3,200
Conde SDS 6 (115 CFM) belt driven by Honda 9 HP gas motor, electric start	\$900
Conde SDS 6 (115 CFM) direct driven by Honda 9 HP gas motor, electric start	\$1,100
Conde SDS 12 (180 CFM) belt driven by Honda 13 HP gas motor, electric start	\$1,700
Conde SDS Ultra (236 CFM) driven by Honda gas motor, electric start	\$3,200
<b>Diesel Motor Options</b>	
Conde Super 6 (70 CFM) belt driven by 6 HP Hatz diesel motor, electric start	\$3,400
Conde SDS 6 (115 CFM) belt driven by 10 HP Hatz diesel motor, electric start	\$3,600
Conde SDS 12 (180 CFM) belt driven by 10 HP Hatz diesel motor, electric start	\$4,500
<b>Suction Hose Options</b>	
<a href="#">2" x 50' Tigertail hose with right angle valve and wand</a>	\$100
<b>Suction Wand Options</b>	
2" full port straight valve with 30" schedule 80 PVC wand (replaces 90° version)	\$0
<b><u>Water Pump Options</u></b>	
Change to 12v Shurflo Powertwin – (6.25 GPM Open flow, 45 PSI Demand switch)	\$220
<b>Work Light Options</b>	
Replace incandescent with LED	\$60
<b>Misc. Options</b>	
Change split – Changes location of bulkhead, no other changes made, split must be verified by engineering	\$650



# ***THE SLIDE IN WAREHOUSE***



[www.slideinwarehouse.com](http://www.slideinwarehouse.com) | 888-445-4892